

TABLETOP WRAP LABELER



SMALL DIAMETER WRAPAROUND LABELING

This automatic, tabletop labeler is specifically designed to apply up to 40 pressure-sensitive labels per minute to a wide range of cylindrical products from 5/16" (8mm) to 2-1/2" (63mm) in diameter. The Mod 3 is ideal for many pharmaceutical or cosmetic applications.

The compact, rugged aluminum plate construction accepts various label imprinters and coders for date, lot and bar coding.

EFFICIENT OPERATION

The Mod 3 is designed for continuous operation. Products are loaded onto the infeed ramp. A mechanically-driven product wheel secures the product and presents it to the labeling station. After the label is dispensed and wrapped around the product, the wheel advances and the product is released down the discharge ramp.

PROGRAMMABLE ELECTRONICS

The operation of the Mod 3 is controlled by a programmable logic controller to ensure maximum flexibility and dependability. In addition, the PLC offers comprehensive system diagnostics.



QUADREL
LABELING SYSTEMS

MOD 3 DESCRIPTION

- Tabletop design accepts a wide variety of cylindrical products with minimal changeovers
- Heavy-duty, aluminum-plate construction permits label imprinter and fault sensor integration
- PLC-based electronics enables the system to accommodate custom applications.

SPECIFICATIONS

Size: 14" (355mm) width X 25" (635mm) length X 29" (736mm) height

Approximate Net Shipping Weight: 150 lbs. (68kg)

Actual Labeling Rate: dependent upon label length and product diameter (Up to 50 products per minute)

Accuracy: Up to $\pm 1/32"$ (1mm) @ Sigma 2

Dispensing Speed: 198" (5m) per minute

Label Dimensions:

- Maximum width = 5" (127mm)
- Maximum length = 8" (203mm)
- Minimum width = 1/2" (13mm)
- Minimum length = 1/2" (13mm)

Roll Capacity: 10" (254mm) O.D. on 3" (76mm) I.D. core

Web Width: 5-1/4" (133mm)

Label Format: die cut, waste removed
(Minimum 1/8" [3mm] between labels)

Label Sensing: microswitch

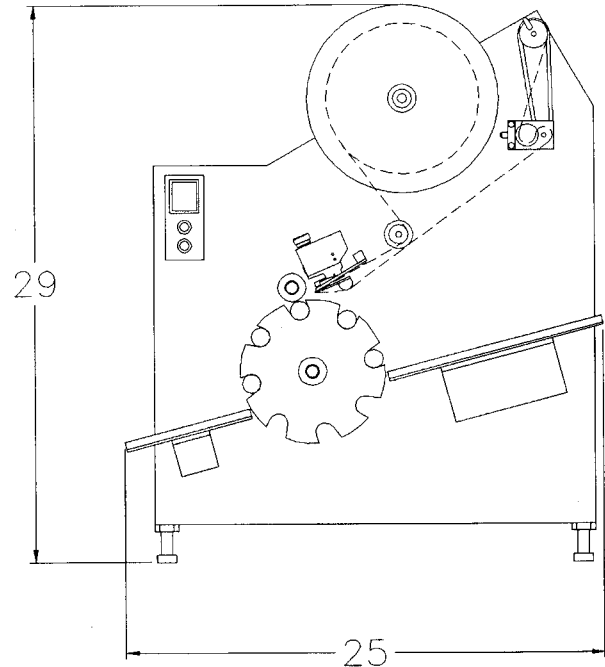
Product Dimensions:

- Maximum O.D. = 2-1/2" (63mm)
- Minimum O.D. = 5/16" (8mm)
- Minimum height = 1/2" (13mm)
- Maximum height = 5-3/4" (146mm)
(Refers to straight cylindrical portion of product)

Utilities: 115VAC, 60Hz, 3AMPS

OPTIONS*

- Recommended spare parts kit
- Label counter
- Product counter
- Photoelectric product detection
- Photoelectric label detection
- Extended infeed and discharge ramps
- Custom configuration for tapered products
- Hot stamp imprinters
- Missing imprint detection on label



QUADREL
LABELING SYSTEMS

7670 Jenther Drive, Mentor, Ohio 44060

440-602-4700 • Fax: 440-602-4701

E-Mail: labeling@quadrel.com • <http://www.quadrel.com>

*Consult factory for custom options or applications.