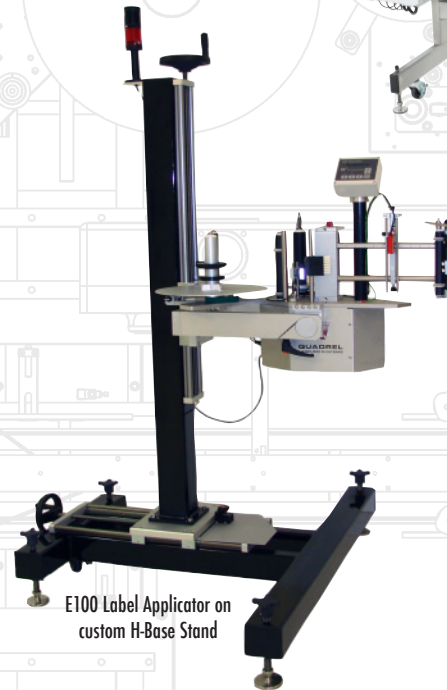


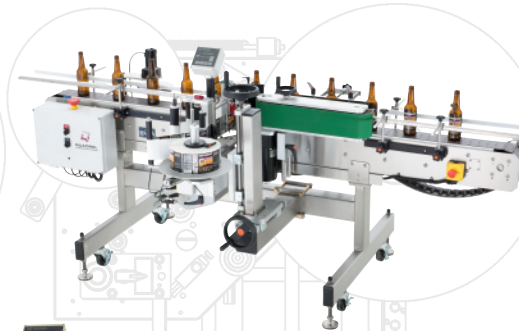
E100 Label Applicator

The E100 is an economically-priced, technically advanced, and rugged label applicator. The E100's compact, modular and versatile construction, proves to be the labeling head of choice for Quadrel's Tabletop and EconoLine® product lines. The E100 is capable of a variety of labeling applications with production rates up to 120 products per minute.

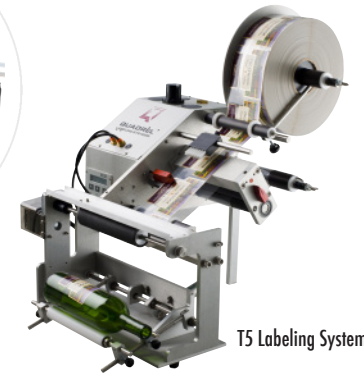
Design features include 1/2" thick anodized aluminum side-plate construction, built-in electronics, high-speed microprocessor controls, programmable stepping motor label drive and modular product control and label application modules.



E100 Label Applicator on custom H-Base Stand



EconoLine Labeling System



T5 Labeling System



T2 Labeling System



T4 Labeling System

- Microprocessor controls with intuitive password protected menus
- 50 programmable product profile presets
- Versatile and economical
- Pivoting peel plate with integrated label impressor
- Quick disconnect electronics with integrated optical sensors
- Outboard supported label drive with sealed roller bearings
- Integrated U-Mount style mounting yoke

www.quadrel.com
 440.602.4700

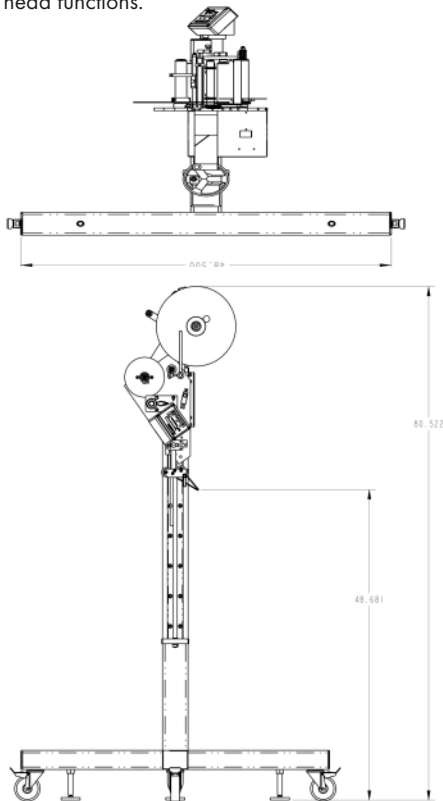
QUALITY/ FLEXIBILITY

This E100 labeling head is both versatile and modular; with its compact construction and economical price, it is ideal for applications up to 120 products per minute.

Suited for both Quadrel's EconoLine® and the entire Tabletop line, the E100 labeling head can grow with any production line with continuous operations.

ADVANCED CONTROLS

The high-speed M3 microprocessor directs and monitors all functions of the labeling head, missing label on web detection, and full status monitoring. With memory for 50 product/label presets, the M3 easily accommodates a wide variety of options. With the addition of an encoder, the M3 controller seamlessly coordinates line speed variations with the labeling head functions.

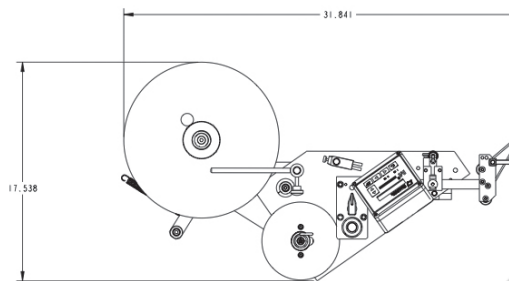


STANDARD FEATURES

- Intelligent stepper label drive
- Encoder-based speed compensation (with optional encoder)
- Rugged stainless steel & aluminum construction
- Precision sealed bearings
- Outboard supported drive yoke for long-term reliability and consistent web tracking
- Dependable performance in harsh environments
- 12" (305mm) label unwind for less frequent roll changes
- Optical product and label detection sensors
- Adjustable waste rewind clutch

OPTIONS

- Left or Right hand versions
- T or H-Base stand with casters and leveling pads
- Low label detection
- End of web detection
- Broken web detection
- Thermal transfer or hot stamp imprinter
- Clear label detection
- Consult factory for additional options



SPECIFICATIONS

Size: 24.8" x 18.4"

Approximate Net Shipping Weight: 80 lbs.

Actual Labeling Rate: Dependent upon dispense speed and label feed length (up to 120 ppm)

Accuracy: Up to +/-1/32"

Dispensing Speed: Variable, up to 800" per minute

Label Dimensions:

Maximum width = 6 1/8"

Maximum length = required length

Minimum width = 1/2"

Minimum length = 1/2"

Roll Capacity: 12" O.D. 3" I.D.

Web Width: 6 1/4"

Label Format: Die cut, waste removed (Minimum 1/8" between labels)

Label Sensing: Photoelectric

Utilities: 120vac or 220vac, 50/60Hz, 10/5 amps (must specify at time of order)

