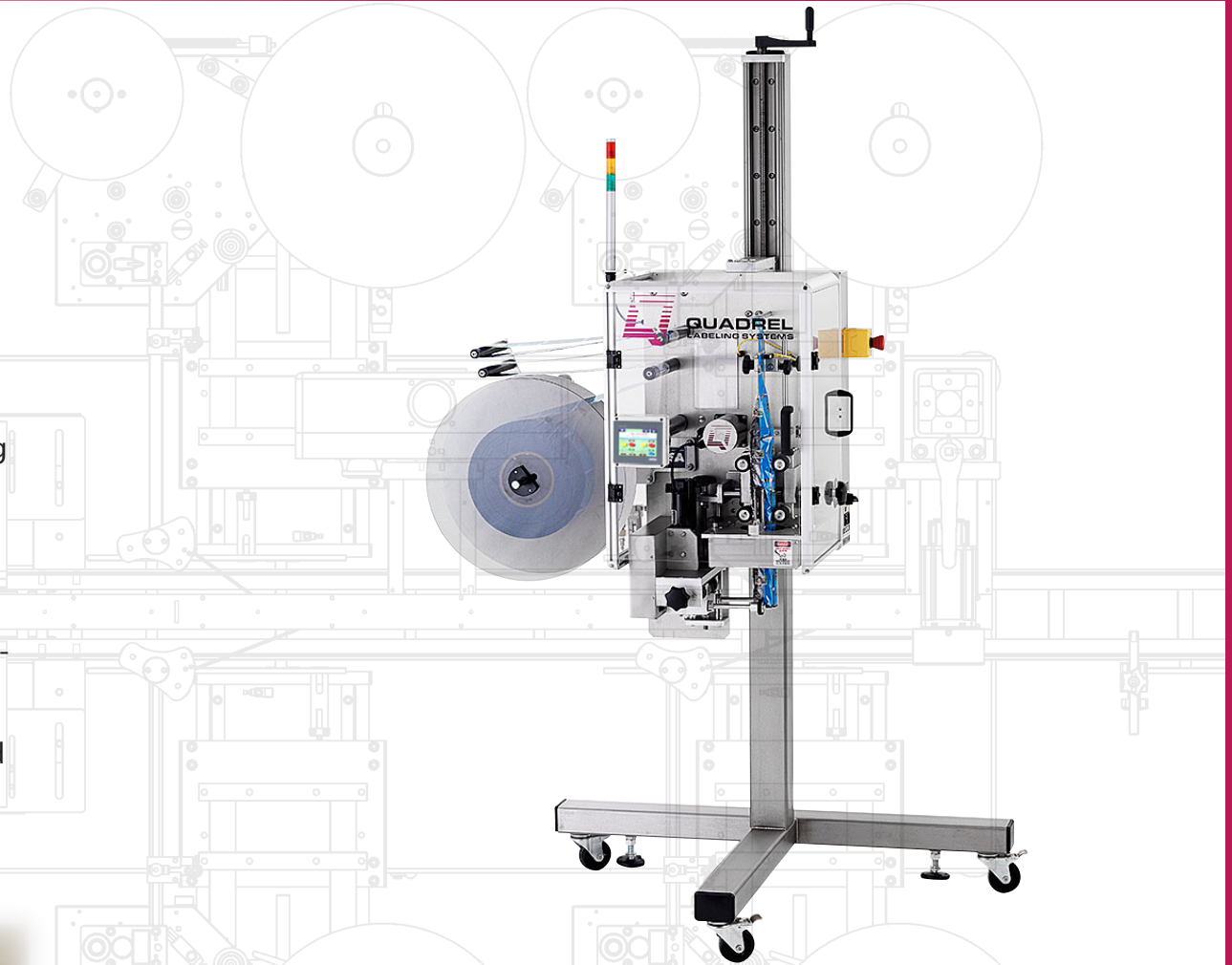


## SL200

### Shrink Sleeve Label Applicator

The Quadrel SL200 shrink sleeve applicator is capable of applying tamper bands or full body sleeves at up to 150 products per minute. The compact design and portability of the SL200 make it the ideal choice for the most demanding applications requiring frequent changeovers on multiple packaging lines.

Design features include a 20" label unwind, high-torque stepper drive, PLC control with color touchscreen and all stainless steel support stand with motorized lift.



- Robust stainless steel and anodized aluminum construction
- 50 programmable product presets
- Mandrel style sleeve handling system with sealed roller bearings
- Innovative cutting mechanism with "off the shelf" cutting blades
- Full system guarding with electrical interlock
- User selectable Optical or Digital sleeve registration options

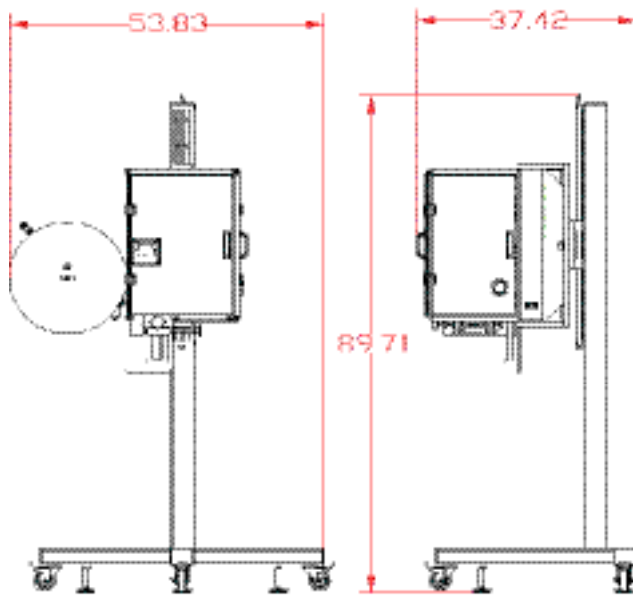
[www.quadrel.com](http://www.quadrel.com)  
440.602.4700

## QUALITY/ FLEXIBILITY

The SL200 Shrink Sleeve label applicator is ideal for mid-level shrink sleeve labeling applications at speeds up to 150 containers per minute with maximum speeds dependent upon the sleeve and bottle dimensions. The SL200 shrink sleeve labeler is designed to meet a wide range of tamper band or full body sleeve application requirements.

## ADVANCED CONTROLS

SL200 features Allen-Bradley® PLC control with on board diagnostics and label/ product preset memory. Additional features include color touch screen operator interface and AC inverter controlled product handling.



## STANDARD FEATURES

- Mandrel style sleeve handling
- U-Mount style mounting
- Encoder-based speed compensation (with optional encoder)
- Full system guarding with Interlock
- Rugged stainless steel & aluminum construction
- Precision sealed bearings
- Optical and Digital sleeve registration
- Dependable performance in harsh environments
- 20" label unwind for less frequent roll changes
- Integrated product detect sensor
- High-torque stepping motor drive
- Innovative quick change cutter assembly with disposable blades

## OPTIONS

- H-base stand with horizontal adjustment
- Motorized lift
- Low media detection
- End of media detection
- Powered label seating brushes
- Anti-static ionizer
- Powered label unwind for speeds up to 150 ppm
- Feedscrew product pacing without feed backup sensor
- Integrated Conveyor
- Electric or Steam heat tunnels
- Consult factory for additional options

## SPECIFICATIONS

**Size:** 36.6" width x 35" length  
**Approximate Net Shipping Weight:** 120 lbs  
**Actual Application Rate:** Dependent upon cut length and product size (Up to 250 products per minute)  
**Cut Length Accuracy:** +/-1/32"  
**Label Drive:** Digital stepping motor standard  
**Design Features:** Stainless steel/aluminum construction, sealed roller bearings, variable speed throw down rollers  
**Bottle Diameter Range:** .875 - 3.86  
**Sleeve Length Range:** 1"-12"  
**Label Thickness Range:** .00137" - .00314"  
**Roll Capacity:** 20" O.D. on 5" or 10" I.D. core.  
**Label Format:** Shrink Sleeve, pre-perforation required (Minimum 1/8" between labels)  
**Label Sensing:** Photoelectric or Digital entry  
**Utilities:** 110 VAC or 220 VAC, 50/60Hz, 10/5 amps

