

Q31 PRINT & APPLY



MICROPROCESSOR CONTROLLED

QUICK RESPONSE PNEUMATICS

COMPACT ECONOMICAL DESIGN

The Q31 is a compact and rugged printer applicator designed for applications requiring an economical solution.

The microprocessor-controlled Q31 features a continuous duty rewind motor, 1/2" (13mm) aluminum side-plated construction, permanently lubricated sealed bearings, 3/4" (19mm) bore linear slide air cylinder, and quick disconnect pneumatics. Options include low label, low ribbon, end-of-media, end-of-ribbon and printer error.

The high performance, low profile Q31 chassis utilizes a series of applicator modules including air-tamp, air-blow, wipe-on, and various pneumatic swing arms for side, top, leading edge, adjacent or corner wrap labeling applications.



QUADREL
LABELING SYSTEMS

Q31 DESCRIPTION

- Microprocessor-based, LED operator interface
- Directs operation sequences and monitors faults during label application
- Monitors product/label counts
- Monitors all printer faults and provides output options
- PLC compatible

SPECIFICATIONS

Dimension: 32"L(813mm) X 22"H(559mm)

Construction: 1/2" (13mm) black anodized aluminum plate powder coated steel cover and mounting yoke

Approximate Net Shipping Weight: 80 lbs.(37kg)

Power Requirements: 115/230 VAC, 50/60 Hz

Air Requirements: 70PSI @ 2CFM

Label Supply: 12" (305mm) max O.D. unwind

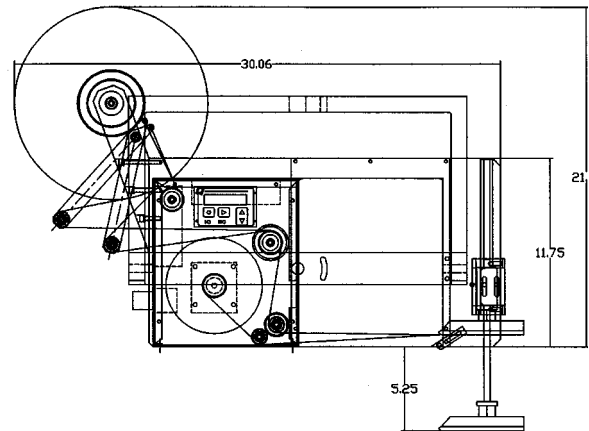
Label Sensing: Photoelectric

Product Detection: Photoelectric



OPTIONS*

- Complete system integration services
- Custom software creation
- T-base support stand with Vertical lead screw adjustment Horizontal lead screw adjustment optional
- Bar code verification system
- Multi-color stack lamp warning lights
- Audible alarm
- Low label supply/Low ribbon supply
- End-of-web/End-of-ribbon/Printer fault
- PLC, hand-held controller, computer interface



QUADREL
LABELING SYSTEMS

7670 Jenther Drive, Mentor, Ohio 44060

440-602-4700 • Fax: 440-602-4701

E-Mail: labeling@quadrel.com • <http://www.quadrel.com>

*Consult factory for custom options or applications.